

Product Information



FTP200x80-Ø30

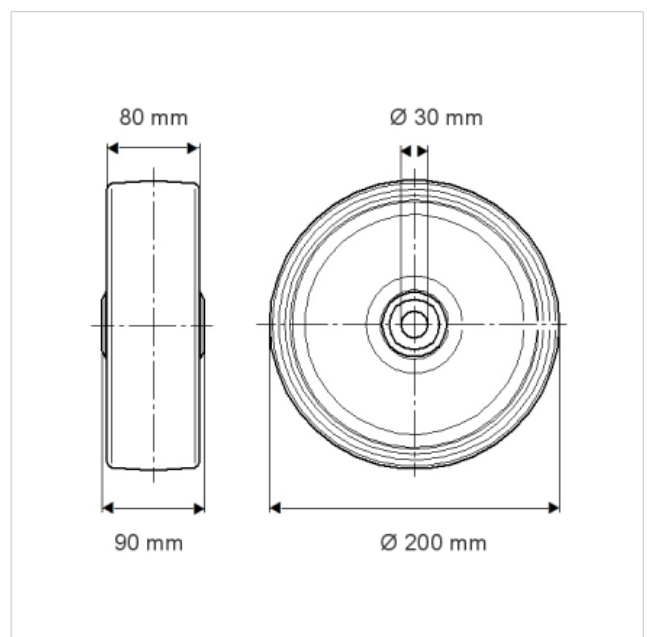
EAN 4031582319347

Wheel centre made of cast iron, Tread: Polyurethane, casted, precision ball bearing

Technical Data	
Wheel diameter	200 mm
Width of Tread	80 mm
Axle Hole-Ø	30 mm
Hub length	90 mm
Temperature	- 20 / + 60 °C
Weight	7.004 kg
Load capacity	1400 kg
Load capacity (static)	2800 kg
Hardness of tread	A 92 Shore



Roll performance	+	+	+	+	+
Movement noise	+	+	+	+	+
Attrition	+	+	+	+	+
Corrosion resistance	+	+	+	+	+





FTP200x80-Ø30

EAN 4031582319347

