

Product Information



FVP300x85-Ø30

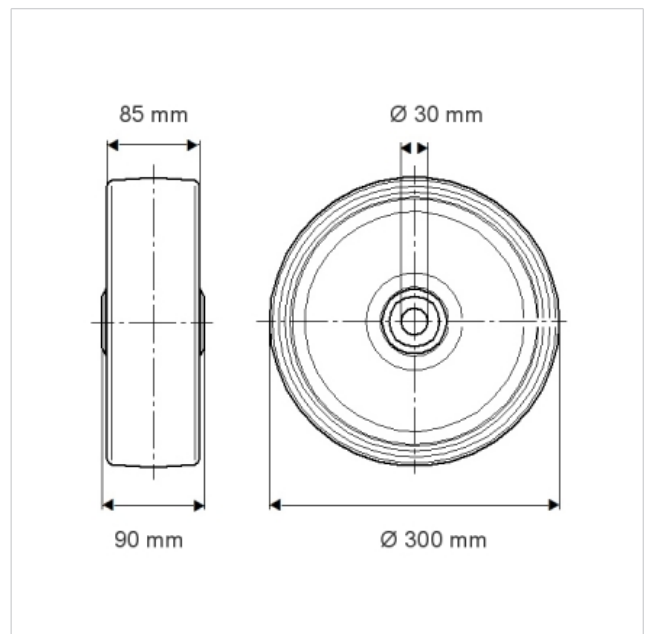
EAN 4031582319538

Wheel centre made of cast iron, Tread: solid rubber, black, precision ball bearing

Technical Data	
Wheel diameter	300 mm
Width of Tread	85 mm
Axle Hole-Ø	30 mm
Hub length	90 mm
Temperature	- 20 / + 85 °C
Standard	EN 12533
Weight	14.448 kg
Load capacity	800 kg
Load capacity (static)	1600 kg
Hardness of tread	A 70 Shore



Roll performance	+	+	+	+	+
Movement noise	+	+	+	+	+
Attrition	+	+	+	+	+
Corrosion resistance	+	+	+	+	+





FVP300x85-Ø30

EAN 4031582319538

