

Product Information



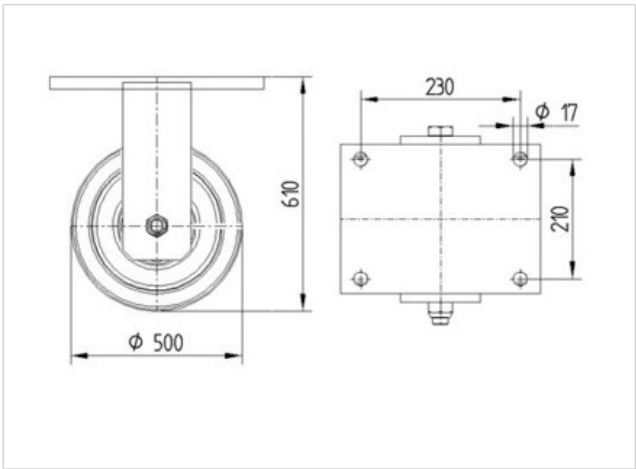
9958STP500P68

EAN 4031582317039

Fixed castor, Fork and plate steel welded, zinc plated, blue passivated, wheel axle with nut, Wheel centre made of pressed steel, lacquered, heavy duty, Tread: Polyurethane, casted, precision ball bearing, plate fitting

Technical Data	
Wheel diameter	500 mm
Width of Tread	80 mm
Size of Plate	270 x 250 mm
Plate hole centres	230 x 210 mm
Plate hole	17 mm
Overall height	610 mm
Temperature	- 20 / + 60 °C
Standard	EN 12533
Weight	103.432 kg
Load capacity	6000 kg
Load capacity (static)	12000 kg
Hardness of tread	A 92 Shore

Roll performance	+	+	+	+	+
Movement noise	+	+	+	+	+
Attrition	+	+	+	+	+
Corrosion resistance	+	+	+	+	+



Product Information



9958STP500P68

EAN 4031582317039

