

# Product Information



## 2470DIK050B10

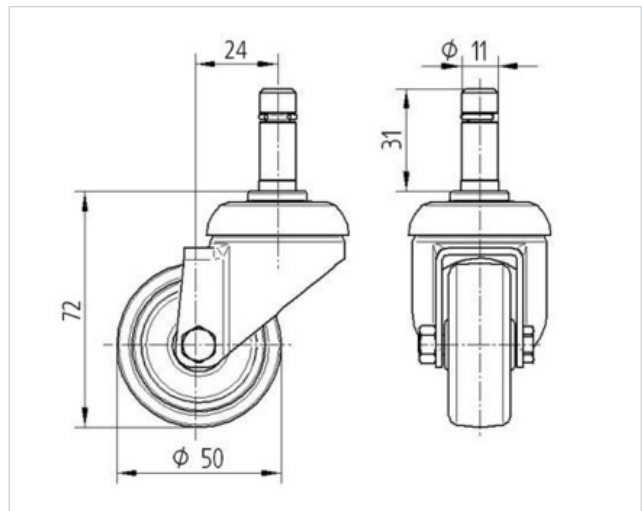
EAN 4031582300598

Swivel castor, housing made of pressed steel, bright zinc plated, blue passivated, double ball bearing swivel head, wheel axle with nut. Wheel centre made of pressed steel, Tread: solid rubber, grey non-marking, with threadguards, cone ball bearing, stem with circlip

### Technical Data

Wheel diameter	50 mm
Width of Tread	19 mm
Metal stem with circlip	11 x 31 mm
Offset	24 mm
Swivel Interference	98 mm
Overall height	72 mm
Temperature	- 20 / + 85 °C
Standard	EN 12530
Weight	0.245 kg
Load capacity	40 kg
Load capacity (static)	80 kg
Swivel Radius	49 mm
Hardness of tread	A 80 Shore

Roll performance	+	+	+	+	+
Movement noise	+	+	+	+	+
Attrition	+	+	+	+	+
Corrosion resistance	+	+	+	+	+



# Product Information



**2470DIK050B10**

EAN 4031582300598

