

Product Information



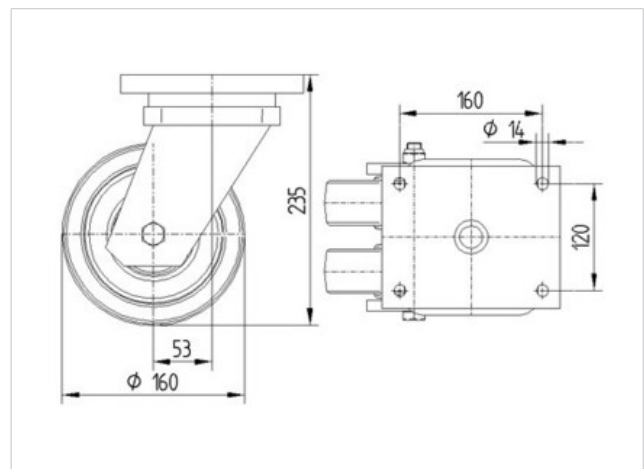
9950FTP160P65

EAN 4031582316773

Swivel castor, housing and plate steel-welded, zinc plated, blue passivated, sealed swivel bearing with dual purpose bearing and tapered roller bearing, threaded king pin and locking nut secured, grease nipple, wheel axle with nut. Wheel centre made of cast iron, Tread: Polyurethane, casted, precision ball bearing, plate fitting



Technical Data	
Wheel diameter	160 mm
Width of Tread	50 mm
Size of Plate	200 x 160 mm
Plate hole centres	160 x 120 mm
Plate hole	15 mm
Offset	55 mm
Swivel Interference	270 mm
Overall height	235 mm
Temperature	- 20 / + 60 °C
Standard	EN 12533
Weight	16.417 kg
Load capacity	1500 kg
Load capacity (static)	3000 kg
Swivel Radius	135 mm
Hardness of tread	A 92 Shore



Roll performance	+	+	+	+	+
Movement noise	+	+	+	+	+
Attrition	+	+	+	+	+
Corrosion resistance	+	+	+	+	+



9950FTP160P65

EAN 4031582316773

