

9688FTP200P63 WT60

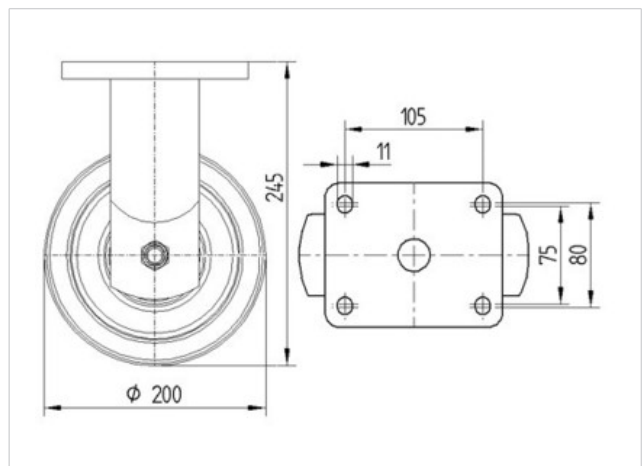
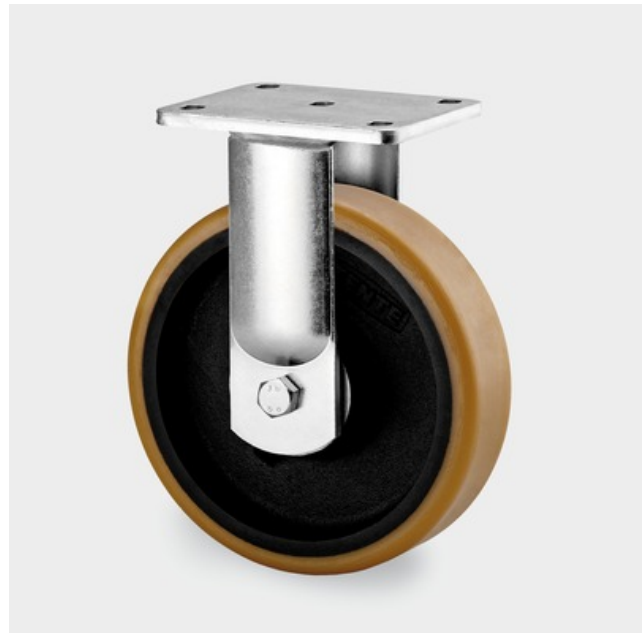
EAN 4031582316216

Fixed castor, Fork and plate steel welded, bright zinc plated, blue passivated, wheel axle with nut, Wheel centre made of cast iron, Tread: Polyurethane, casted, precision ball bearing, plate fitting

Technical Data

Wheel diameter	200 mm
Width of Tread	60 mm
Size of Plate	135 x 110 mm
Plate hole centres	105 x 80/75 mm
Plate hole	11 mm
Overall height	245 mm
Temperature	- 20 / + 60 °C
Standard	EN 12533
Weight	7.984 kg
Load capacity	1200 kg
Load capacity (static)	2400 kg
Hardness of tread	A 92 Shore

Roll performance	+	+	+	+	+
Movement noise	+	+	+	+	+
Attrition	+	+	+	+	+
Corrosion resistance	+	+	+	+	+



Product Information



9688FTP200P63 WT60

EAN 4031582316216

