

Product Information



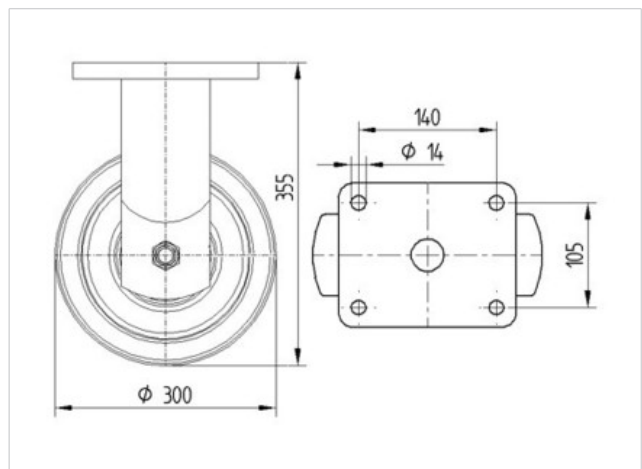
9688FVP300P64

EAN 4031582316391

Fixed castor, Fork and plate steel welded, bright zinc plated, blue passivated, wheel axle with nut, Wheel centre made of cast iron, Tread: solid rubber, black, precision ball bearing, plate fitting

Technical Data	
Wheel diameter	300 mm
Width of Tread	85 mm
Size of Plate	175 x 140 mm
Plate hole centres	140 x 105 mm
Plate hole	15 mm
Overall height	355 mm
Temperature	- 20 / + 85 °C
Standard	EN 12533
Weight	20.403 kg
Load capacity	800 kg
Load capacity (static)	1600 kg
Hardness of tread	A 70 Shore

Roll performance	+	+	+	+	+
Movement noise	+	+	+	+	+
Attrition	+	+	+	+	+
Corrosion resistance	+	+	+	+	+





9688FVP300P64

EAN 4031582316391

