

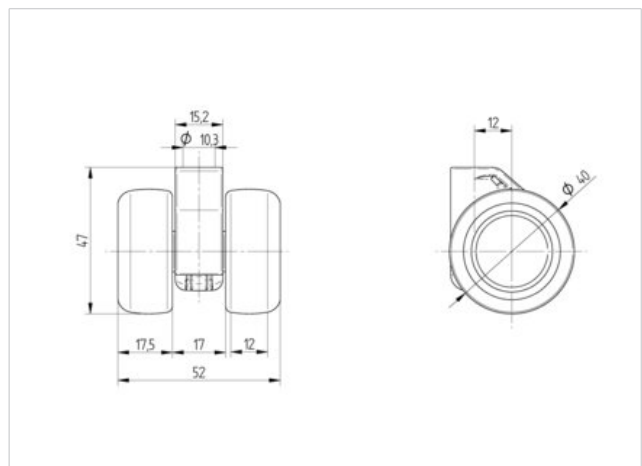
## 5920PJI040L51-10 HIGH

EAN 4031582356748

Swivel castor, housing made of Polyamide. Wheel centre made of Polypropylene, Tread: TENTEprene (thermoplastic rubber), grey non-marking, plain bearing, with blind hole for furniture fittings

Technical Data	
Wheel diameter	40 mm
Width of Tread	12 mm
Castor width	52 mm
Centre hole	10 mm
Dome-Ø	15.2 mm
Offset	12 mm
Swivel Interference	74 mm
Overall height	47 mm
Temperature	- 20 / + 60 °C
Standard	EN 12528
Weight	0.052 kg
Load capacity	40 kg
Load capacity (static)	80 kg
Swivel Radius	37 mm
Hardness of tread	A 87 Shore

Roll performance	+	+	+	+	+
Movement noise	+	+	+	+	+
Attrition	+	+	+	+	+
Corrosion resistance	+	+	+	+	+



# Product Information



## 5920PJI040L51-10 HIGH

EAN 4031582356748

