

Product Information



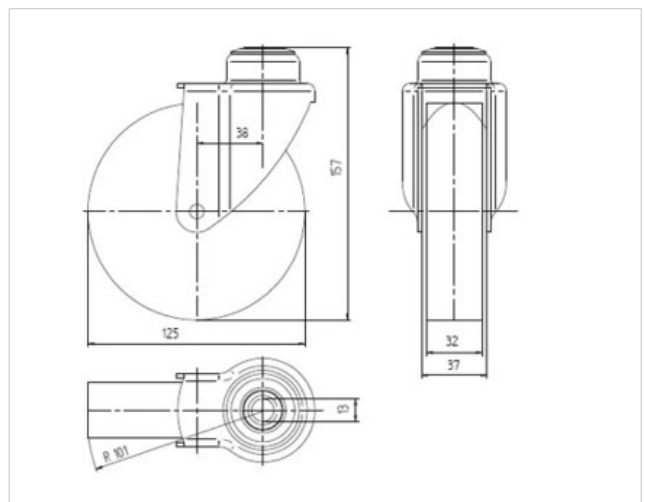
2340PIP125P30

EAN 4031582348545

Swivel castor, housing made of pressed steel, bright zinc plated, blue passivated, precision ball bearing in swivel head, with PU cover, wheel axle with nut. Wheel centre made of Polypropylene, Tread: solid rubber, grey non-marking, precision ball bearing, bolt hole



Technical Data	
Wheel diameter	125 mm
Width of Tread	32 mm
Centre hole	13 mm
Offset	38 mm
Swivel Interference	201 mm
Overall height	157 mm
Temperature	- 20 / + 60 °C
Standard	EN 12530
Load capacity	80 kg
Load capacity (static)	160 kg
Swivel Radius	100.5 mm
Hardness of tread	A 75 Shore



Roll performance	+	+	+	+	+
Movement noise	+	+	+	+	+
Attrition	+	+	+	+	+
Corrosion resistance	+	+	+	+	+

Product Information



2340PIP125P30

EAN 4031582348545

