

Product Information



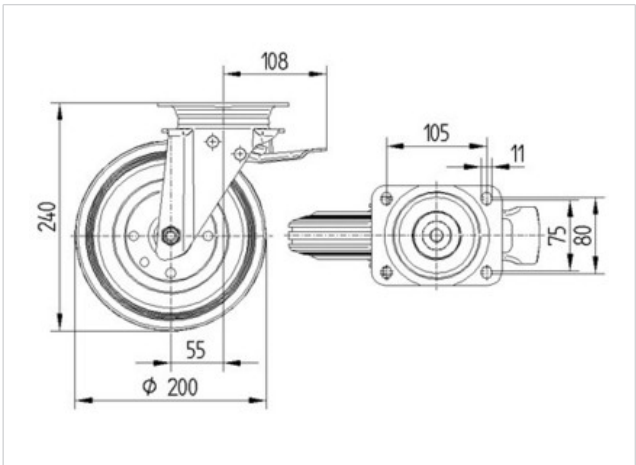
3472PVR200P63

EAN 4031582304923

Swivel castor with total lock, head end of castor, housing made of pressed steel, bright zinc plated, blue passivated, double ball bearing swivel head, wheel axle with nut, dustguard. Wheel centre made of Polypropylene, Tread: solid rubber, black, roller bearing, plate fitting

Technical Data	
Wheel diameter	200 mm
Width of Tread	50 mm
Size of Plate	137 x 105 mm
Plate hole centres	105 x 80/75 mm
Plate hole	11 mm
Offset	55 mm
Swivel Interference	310 mm
Overall height	240 mm
Temperature	- 20 / + 60 °C
Standard	EN 12532
Weight	3.039 kg
Load capacity	205 kg
Load capacity (static)	410 kg
Hardness of tread	A 85 Shore

Roll performance	+	+	+	+	+
Movement noise	+	+	+	+	+
Attrition	+	+	+	+	+
Corrosion resistance	+	+	+	+	+



Product Information



3472PVR200P63

EAN 4031582304923

