

Product Information



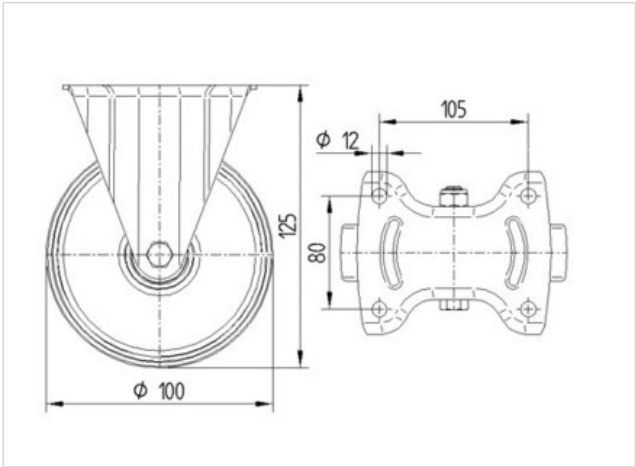
3478ITP100P63

EAN 4031582030709

Fixed castor, Fork made of pressed steel, bright zinc plated, blue passivated, wheel axle with nut, Wheel centre made of Aluminium, Tread: Polyurethane, casted, precision ball bearing, with threadguards, plate fitting

Technical Data	
Wheel diameter	100 mm
Width of Tread	40 mm
Size of Plate	137 x 115 mm
Plate hole centres	105 x 80/75 mm
Plate hole	11 mm
Overall height	125 mm
Temperature	- 20 / + 60 °C
Standard	EN 12532
Weight	0.893 kg
Load capacity	300 kg
Load capacity (static)	600 kg
Hardness of tread	A 92 Shore

Roll performance	+	+	+	+	+
Movement noise	+	+	+	+	+
Attrition	+	+	+	+	+
Corrosion resistance	+	+	+	+	+





3478ITP100P63

EAN 4031582030709

