

# Product Information



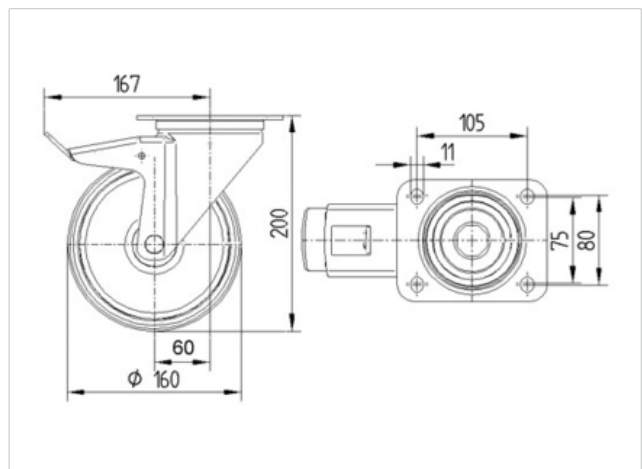
## 3477UER160P63

EAN 4031582305845

Swivel castor with total lock, tail end of castor, housing made of pressed steel, bright zinc plated, blue passivated, double ball bearing swivel head, wheel axle with nut, dustguard. Wheel centre made of Polyamide, Tread: elastic-tyre, black, roller bearing, plate fitting



Technical Data	
Wheel diameter	160 mm
Width of Tread	46 mm
Size of Plate	137 x 105 mm
Plate hole centres	105 x 80/75 mm
Plate hole	11 mm
Offset	60 mm
Swivel Interference	334 mm
Overall height	200 mm
Temperature	- 20 / + 80 °C
Standard	EN 12532
Weight	2.496 kg
Load capacity	300 kg
Load capacity (static)	600 kg
Swivel Radius	167 mm
Hardness of tread	A 64 Shore



Roll performance	+	+	+	+	+
Movement noise	+	+	+	+	+
Attrition	+	+	+	+	+
Corrosion resistance	+	+	+	+	+



## 3477UER160P63

EAN 4031582305845

