

# Product Information



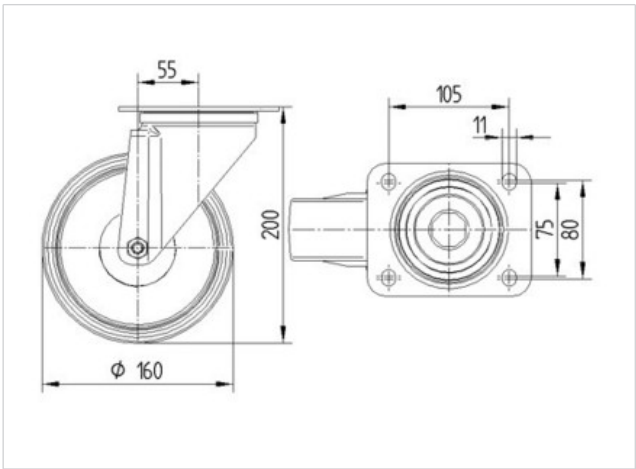
## 3470UER160P63

EAN 4031582304367

Swivel castor, housing made of pressed steel, bright zinc plated, blue passivated, double ball bearing swivel head, wheel axle with nut, dustguard, yellow chromated plate. Wheel centre made of Polyamide, Tread: elastic-tyre, black, roller bearing, plate fitting

Technical Data	
Wheel diameter	160 mm
Width of Tread	46 mm
Size of Plate	137 x 105 mm
Plate hole centres	105 x 80/75 mm
Plate hole	11 mm
Offset	55 mm
Swivel Interference	270 mm
Overall height	200 mm
Temperature	- 20 / + 80 °C
Standard	EN 12532
Weight	2.135 kg
Load capacity	300 kg
Load capacity (static)	600 kg
Swivel Radius	135 mm
Hardness of tread	A 64 Shore

Roll performance	+	+	+	+	+
Movement noise	+	+	+	+	+
Attrition	+	+	+	+	+
Corrosion resistance	+	+	+	+	+





## 3470UER160P63

EAN 4031582304367

