

Product Information



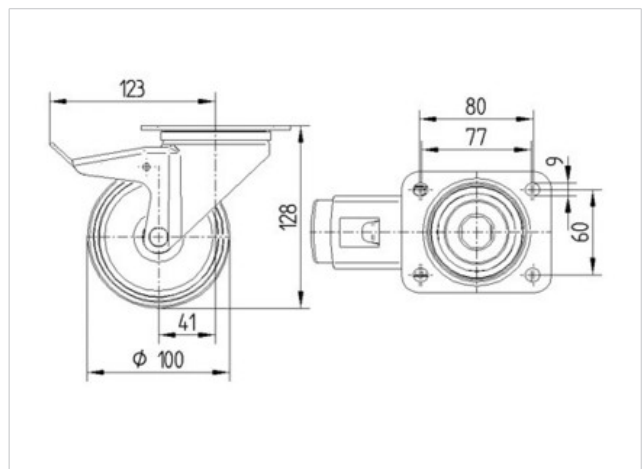
8477UFX100P62

EAN 4031582339376

Swivel castor with total lock, tail end of castor, housing made of Stainless Steel, double ball bearing swivel head, wheel axle with nut. Wheel centre made of Polyamide, Tread: elastic-tyre, non-marking, with small threadguards, precision ball bearing, sealed, plate fitting



Technical Data	
Wheel diameter	100 mm
Width of Tread	34 mm
Size of Plate	105 x 85 mm
Plate hole centres	80/77 x 60 mm
Plate hole	9 mm
Offset	41 mm
Swivel Interference	242 mm
Overall height	128 mm
Temperature	- 20 / + 80 °C
Standard	EN 12532
Weight	0.987 kg
Load capacity	160 kg
Load capacity (static)	320 kg
Hardness of tread	A 64 Shore



Roll performance	+	+	+	+	+
Movement noise	+	+	+	+	+
Attrition	+	+	+	+	+
Corrosion resistance	+	+	+	+	+



8477UFX100P62

EAN 4031582339376

