

Product Information



EEZ920x250-Ø670 ST

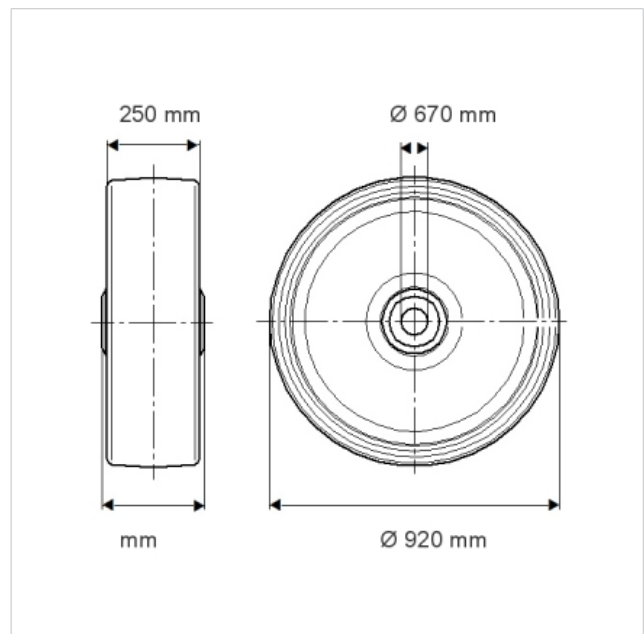
EAN 4031582339352

Wheel centre made of steel, Tread: elastic-tyre, black, bore blank

Technical Data

Wheel diameter	920 mm
Width of Tread	250 mm
Axle Hole-Ø	670 mm
Temperature	- 20 / + 85 °C
Standard	EN 12533
Load capacity	6000 kg
Load capacity (static)	12000 kg
Hardness of tread	A 70 Shore

Roll performance	+	+	+	+	+
Movement noise	+	+	+	+	+
Attrition	+	+	+	+	+
Corrosion resistance	+	+	+	+	+



Product Information



EEZ920x250-Ø670 ST

EAN 4031582339352

