

Product Information



FTF230x75-Ø45-5xØ13

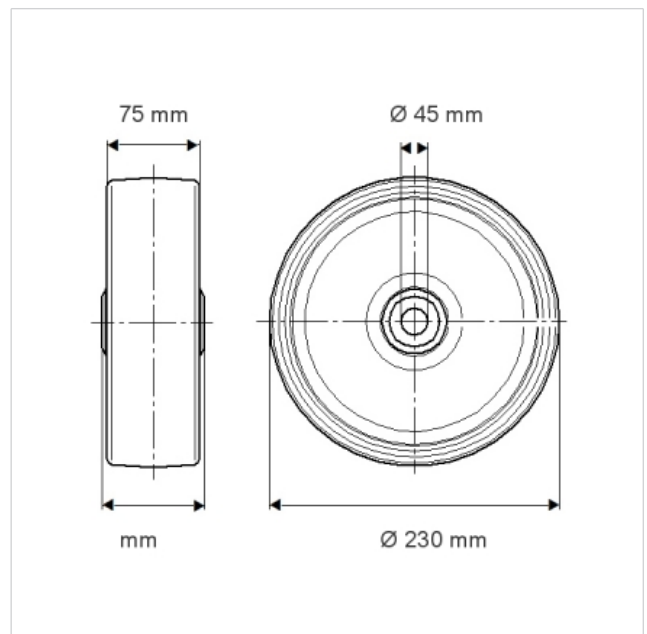
EAN 4031582332155

Drive wheel, wheel centre made of cast iron, painted, tread made Polyurethane, casted

Technical Data

| | |
|-------------------|----------------|
| Wheel diameter | 230 mm |
| Width of Tread | 75 mm |
| Axle Hole-Ø | 45 mm |
| Temperature | - 20 / + 60 °C |
| Weight | 4.934 kg |
| Hardness of tread | A 92 Shore |
| Hole-Circle-Ø | 70 mm |
| Fitting-Hole-Ø | 13 mm |

| | | | | | |
|----------------------|---|---|---|---|---|
| Roll performance | + | + | + | + | + |
| Movement noise | + | + | + | + | + |
| Attrition | + | + | + | + | + |
| Corrosion resistance | + | + | + | + | + |



Product Information



FTF230x75-Ø45-5xØ13

EAN 4031582332155

