

Product Information



ETX080x70-Ø20 HL75-A

EAN 4031582332001

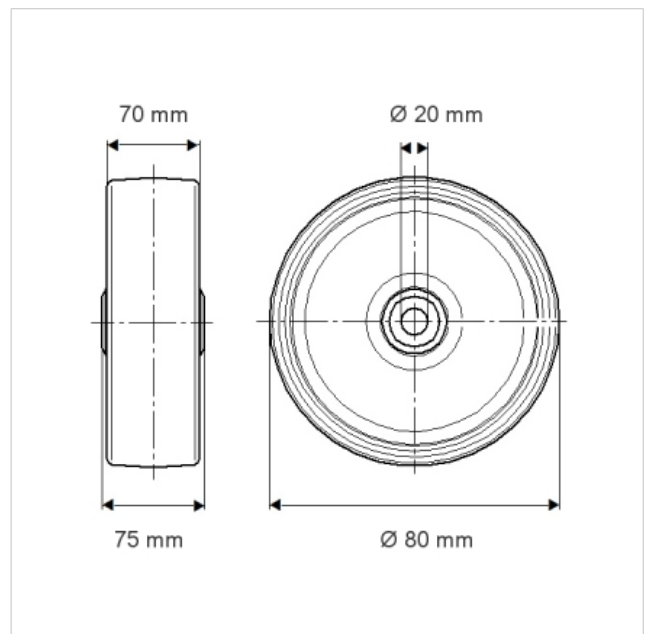
Wheel centre made of steel, tread made of Polyurethane, casted, precision ball bearing, sealed

Technical Data

Wheel diameter	80 mm
Width of Tread	70 mm
Axle Hole-Ø	20 mm
Hub length	75 mm
Temperature	- 20 / + 60 °C
Weight	1.19 kg
Load capacity	650 kg
Load capacity (static)	1300 kg
Hardness of tread	A 92 Shore
Bearing type	6006 2RS No.



Roll performance	+	+	+	+	+
Movement noise	+	+	+	+	+
Attrition	+	+	+	+	+
Corrosion resistance	+	+	+	+	+



Product Information



ETX080x70-Ø20 HL75-A

EAN 4031582332001

