

Product Information



TOP085x60-Ø20 HL60

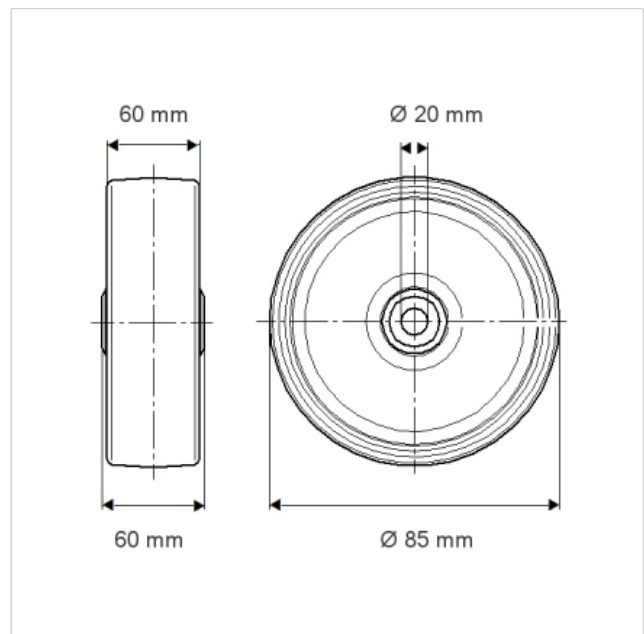
EAN 4031582331165

Wheel centre made of Polyamide, heavy duty,
precision ball bearing

Load capacities on a smooth, even surface.

Technical Data

Wheel diameter	85 mm
Width of Tread	60 mm
Axle Hole-Ø	20 mm
Hub length	60 mm
Temperature	- 40 / + 80 °C
Weight	0.513 kg
Load capacity	650 kg
Load capacity (static)	1300 kg
Hardness of tread	D 75 Shore
Bearing type	6204 No.



Roll performance	+	+	+	+	+
Movement noise	+	+	+	+	+
Attrition	+	+	+	+	+
Corrosion resistance	+	+	+	+	+

Product Information



TOP085x60-Ø20 HL60

EAN 4031582331165

