

Product Information



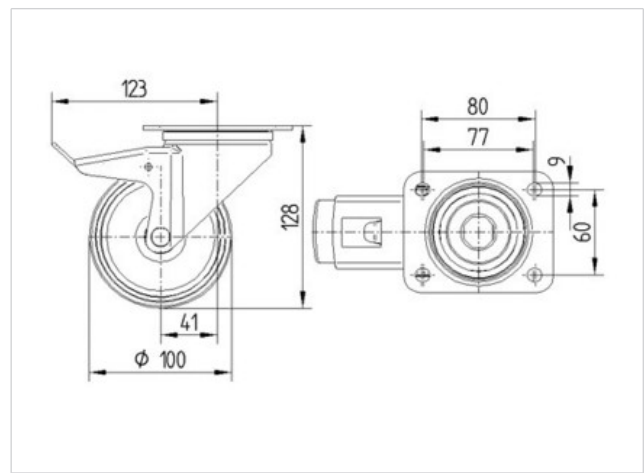
3477DVR100P62

EAN 4031582050226

Swivel castor with total lock, tail end of castor, housing made of pressed steel, bright zinc plated, blue passivated, double ball bearing swivel head, wheel axle with nut, dustguard. Wheel centre made of pressed steel, Tread: solid rubber, black, roller bearing, plate fitting



Technical Data	
Wheel diameter	100 mm
Width of Tread	30 mm
Size of Plate	105 x 85 mm
Plate hole centres	80/77 x 60 mm
Plate hole	9 mm
Offset	41 mm
Swivel Interference	246 mm
Overall height	128 mm
Temperature	- 20 / + 60 °C
Standard	EN 12532
Weight	1.122 kg
Load capacity	70 kg
Load capacity (static)	140 kg
Swivel Radius	123 mm
Hardness of tread	A 85 Shore



Roll performance	+	+	+	+	+
Movement noise	+	+	+	+	+
Attrition	+	+	+	+	+
Corrosion resistance	+	+	+	+	+

Product Information



3477DVR100P62

EAN 4031582050226

