

# Product Information



## ITP100x40-Ø15 HL40

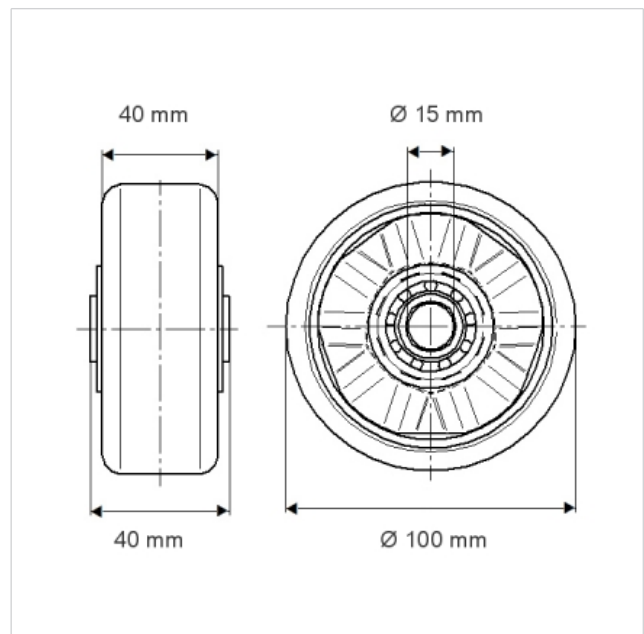
EAN 4031582329797

Wheel centre made of Aluminium, Tread:  
Polyurethane, casted, precision ball bearing

### Technical Data

Wheel diameter	100 mm
Width of Tread	40 mm
Axle Hole-Ø	15 mm
Hub length	40 mm
Temperature	- 20 / + 60 °C
Load capacity	300 kg
Load capacity (static)	600 kg
Hardness of tread	A 92 Shore

Roll performance	+	+	+	+	+
Movement noise	+	+	+	+	+
Attrition	+	+	+	+	+
Corrosion resistance	+	+	+	+	+





## ITP100x40-Ø15 HL40

EAN 4031582329797

