

Product Information



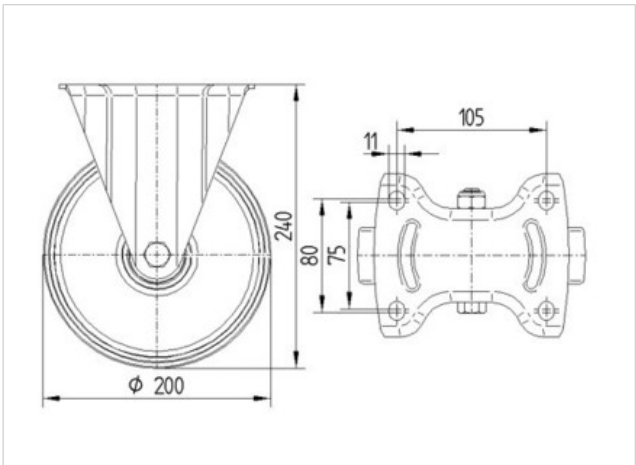
3478PVR200P63

EAN 4031582030686

Fixed castor, Fork made of pressed steel, bright zinc plated, blue passivated, wheel axle with nut, Wheel centre made of Polypropylene, Tread: solid rubber, black, roller bearing, plate fitting

Technical Data	
Wheel diameter	200 mm
Width of Tread	50 mm
Size of Plate	137 x 115 mm
Plate hole centres	105 x 80/75 mm
Plate hole	11 mm
Overall height	240 mm
Temperature	- 20 / + 60 °C
Standard	EN 12532
Weight	2.388 kg
Load capacity	205 kg
Load capacity (static)	410 kg
Hardness of tread	A 85 Shore

Roll performance	+	+	+	+	+
Movement noise	+	+	+	+	+
Attrition	+	+	+	+	+
Corrosion resistance	+	+	+	+	+



Product Information



3478PVR200P63

EAN 4031582030686

