

Product Information



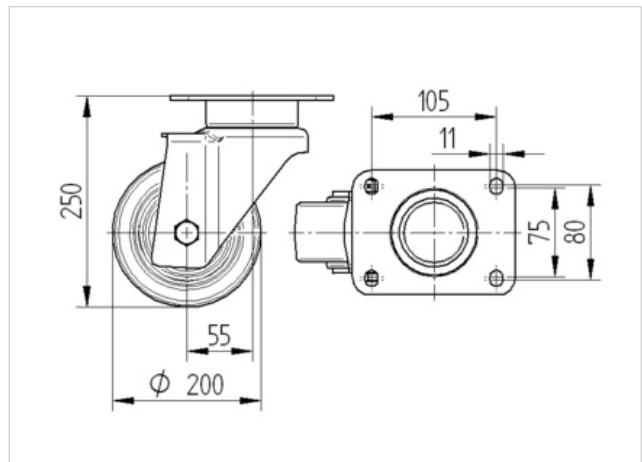
3640ITP200P63 Flat

EAN 4031582337372

Swivel castor, housing made of heavy pressed steel, bright zinc plated, blue passivated, precision ball bearing swivel head, sealed, wheel axle with nut. Wheel centre made of Aluminium, Tread: Polyurethane, casted, precision ball bearing, plate fitting



Technical Data	
Wheel diameter	200 mm
Width of Tread	50 mm
Size of Plate	137 x 105 mm
Plate hole centres	105 x 80/75 mm
Plate hole	11 mm
Offset	55 mm
Swivel Interference	310 mm
Overall height	250 mm
Temperature	- 20 / + 60 °C
Standard	EN 12532
Weight	3.648 kg
Load capacity	600 kg
Load capacity (static)	1200 kg
Swivel Radius	155 mm
Hardness of tread	A 92 Shore



Roll performance	+	+	+	+	+
Movement noise	+	+	+	+	+
Attrition	+	+	+	+	+
Corrosion resistance	+	+	+	+	+



3640ITP200P63 Flat

EAN 4031582337372

