

Product Information



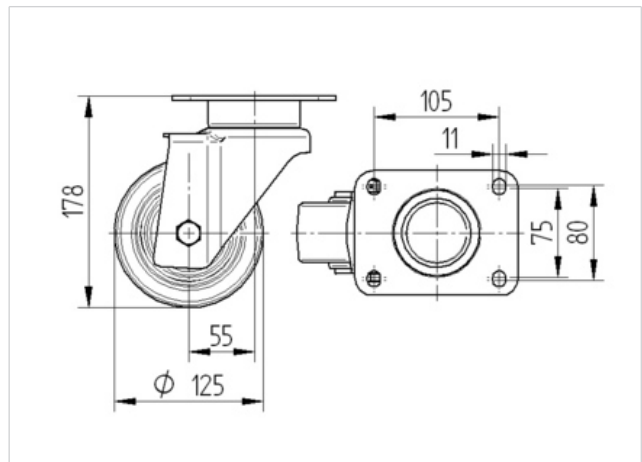
3640IEP125P63

EAN 4031582337143

Swivel castor, housing made of heavy pressed steel, bright zinc plated, blue passivated, precision ball bearing swivel head, sealed, wheel axle with nut. Wheel centre made of Aluminium, Tread: black elastic-tyre, vulcanized, precision ball bearing, plate fitting



Technical Data	
Wheel diameter	125 mm
Width of Tread	50 mm
Size of Plate	137 x 105 mm
Plate hole centres	105 x 80/75 mm
Plate hole	11 mm
Offset	55 mm
Swivel Interference	235 mm
Overall height	178 mm
Temperature	- 20 / + 85 °C
Standard	EN 12532
Weight	3.059 kg
Load capacity	300 kg
Load capacity (static)	600 kg
Swivel Radius	117.5 mm
Hardness of tread	A 67 Shore



Roll performance	+	+	+	+	+
Movement noise	+	+	+	+	+
Attrition	+	+	+	+	+
Corrosion resistance	+	+	+	+	+

Product Information



3640IEP125P63

EAN 4031582337143

