

Product Information



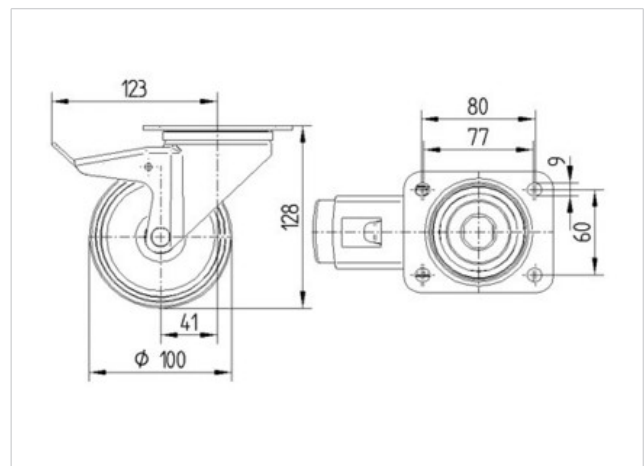
3477POS100P62

EAN 4031582336863

Swivel castor with total lock, tail end of castor, housing made of pressed steel, bright zinc plated, blue passivated, double ball bearing swivel head, wheel axle with nut, dustguard. Noise reduced wheel, wheel centre made of Polypropylene with shock absorbing element made of foamed Polyurethane, with blue threadguards, roller bearing, plate fitting



Technical Data	
Wheel diameter	100 mm
Width of Tread	36 mm
Size of Plate	105 x 85 mm
Plate hole centres	80/77 x 60 mm
Plate hole	9 mm
Offset	41 mm
Swivel Interference	246 mm
Overall height	128 mm
Temperature	- 20 / + 60 °C
Standard	EN 12532
Weight	1.006 kg
Load capacity	160 kg
Load capacity (static)	320 kg
Swivel Radius	123 mm
Hardness of tread	D 65 Shore



Roll performance	+	+	+	+	+
Movement noise	+	+	+	+	+
Attrition	+	+	+	+	+
Corrosion resistance	+	+	+	+	+



3477POS100P62

EAN 4031582336863

