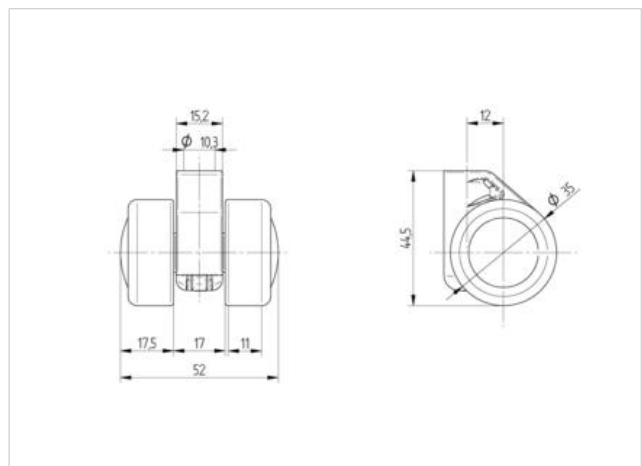


## 5920UOI035L51-10 HIGH

EAN 4031582338454

Swivel castor, housing made of Polyamide. Wheel centre made of Polyamide, plain bearing, with blind hole for furniture fittings

Technical Data	
Wheel diameter	35 mm
Width of Tread	11 mm
Castor width	52 mm
Centre hole	10 mm
Offset	12 mm
Swivel Interference	74 mm
Overall height	44.5 mm
Temperature	- 20 / + 60 °C
Standard	EN 12528
Weight	0.049 kg
Load capacity	50 kg
Load capacity (static)	100 kg
Swivel Radius	37 mm



Roll performance	+	+	+	+	+
Movement noise	+	+	+	+	+
Attrition	+	+	+	+	+
Corrosion resistance	+	+	+	+	+

# Product Information



## 5920UOI035L51-10 HIGH

EAN 4031582338454

