

Product Information



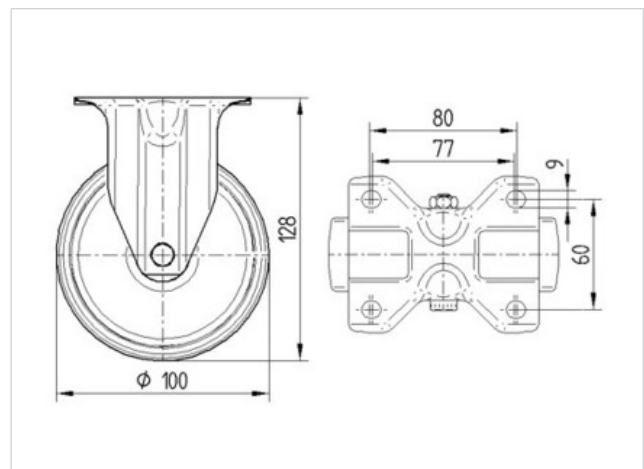
3478POS100P62

EAN 4031582336849

Fixed castor, Fork made of pressed steel, bright zinc plated, blue passivated, wheel axle with nut, Noise reduced wheel, wheel centre made of Polypropylene with shock absorbing element made of foamed Polyurethane, with blue threadguards, roller bearing, plate fitting



Technical Data	
Wheel diameter	100 mm
Width of Tread	36 mm
Size of Plate	103 x 85 mm
Plate hole centres	80/77 x 60 mm
Plate hole	9 mm
Overall height	128 mm
Temperature	- 20 / + 60 °C
Standard	EN 12532
Weight	0.535 kg
Load capacity	160 kg
Load capacity (static)	320 kg
Hardness of tread	D 65 Shore



Roll performance	+	+	+	+	+
Movement noise	+	+	+	+	+
Attrition	+	+	+	+	+
Corrosion resistance	+	+	+	+	+



3478POS100P62

EAN 4031582336849

