

Product Information



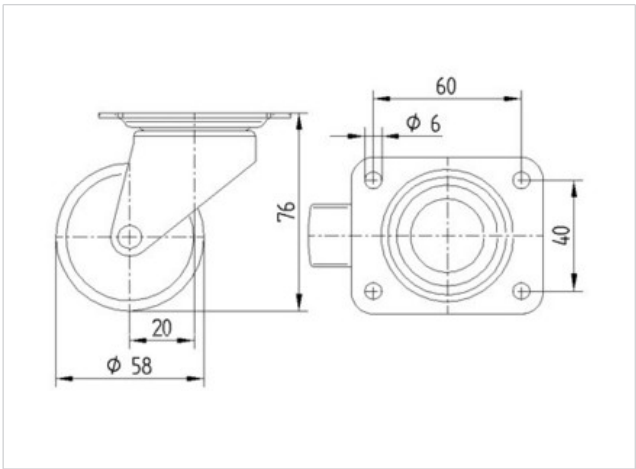
3430POI058P60-80x60

EAN 4031582303322

Swivel castor, housing made of pressed steel, bright zinc plated, blue passivated, single ball race swivel head, axle riveted. Wheel centre made of Polypropylene, plain bearing, plate fitting

Technical Data	
Wheel diameter	58 mm
Width of Tread	28 mm
Size of Plate	80 x 60 mm
Plate hole centres	60 x 40 mm
Plate hole	7,5 mm
Offset	21 mm
Swivel Interference	100 mm
Overall height	76 mm
Temperature	- 20 / + 60 °C
Standard	EN 12532
Weight	0.27 kg
Load capacity	100 kg
Load capacity (static)	200 kg
Swivel Radius	50 mm
Hardness of tread	D 65 Shore

Roll performance	+	+	+	+	+
Movement noise	+	+	+	+	+
Attrition	+	+	+	+	+
Corrosion resistance	+	+	+	+	+



Product Information



3430POI058P60-80x60

EAN 4031582303322

