

## INTEGRAL 2046UAP150R36-32S30

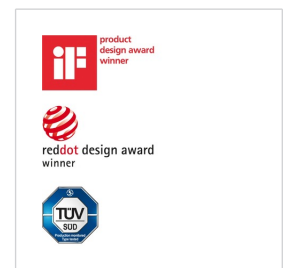
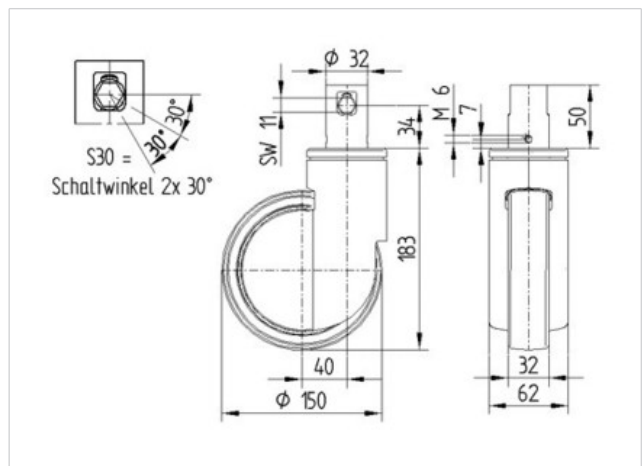
EAN 4031582300253

Swivel castor with central lock, Frame made of pressed steel, precision ball bearing in swivel head and wheel, housing cover made of synthetic plastics. Wheel centre made of Polyamide, Tread: Polyurethane, precision ball bearing, stem with cam hole for profile bars, short version

**Hint:** TÜV Süd certified product.

| Technical Data         |                |
|------------------------|----------------|
| Wheel diameter         | 150 mm         |
| Width of Tread         | 32 mm          |
| Bolt-Ø                 | 32 mm          |
| Bolt length            | 50 mm          |
| Offset                 | 40 mm          |
| Swivel Interference    | 230 mm         |
| Overall height         | 183 mm         |
| Temperature            | - 30 / + 80 °C |
| Standard               | EN 12531       |
| Weight                 | 1.101 kg       |
| Load capacity          | 150 kg         |
| Load capacity (static) | 300 kg         |
| Swivel Radius          | 115 mm         |
| Hardness of tread      | D 40 Shore     |

|                      |   |   |   |   |   |
|----------------------|---|---|---|---|---|
| Roll performance     | + | + | + | + | + |
| Movement noise       | + | + | + | + | + |
| Attrition            | + | + | + | + | + |
| Corrosion resistance | + | + | + | + | + |



# Product Information



## INTEGRAL

### 2046UAP150R36-32S30

EAN 4031582300253

