

## INTEGRAL 2044UAP150R36-32S30

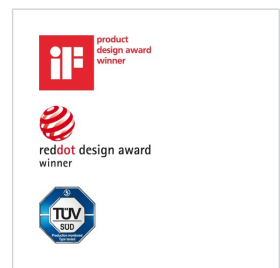
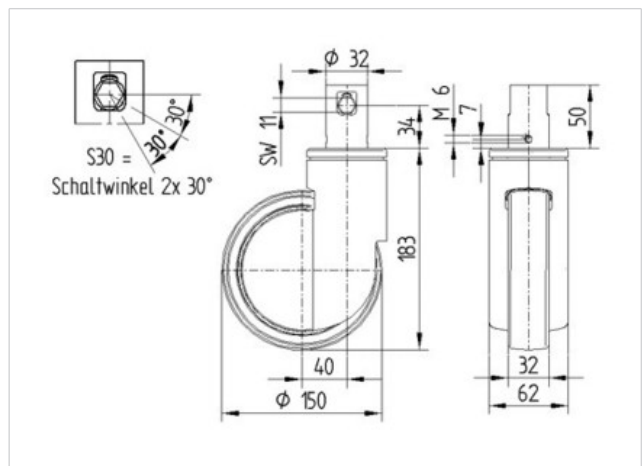
EAN 4031582300192

Swivel castor with central, total or directional lock,  
Frame made of pressed steel, precision ball bearing  
in swivel head and wheel, housing cover made of  
synthetic plastics. Wheel centre made of Polyamide,  
Tread: Polyurethane, precision ball bearing, stem  
with cam hole for profile bars, short version  
**Hint:**TÜV Süd certified product.

### Technical Data

Wheel diameter	150 mm
Width of Tread	32 mm
Bolt-Ø	32 mm
Bolt length	50 mm
Offset	40 mm
Swivel Interference	230 mm
Overall height	183 mm
Temperature	- 30 / + 80 °C
Standard	EN 12531
Weight	1.189 kg
Load capacity	150 kg
Load capacity (static)	300 kg
Swivel Radius	115 mm
Hardness of tread	D 40 Shore

Roll performance	+	+	+	+	+
Movement noise	+	+	+	+	+
Attrition	+	+	+	+	+
Corrosion resistance	+	+	+	+	+



# Product Information



## INTEGRAL

### 2044UAP150R36-32S30

EAN 4031582300192

