

# Product Information



## ETP060x20-Ø20 HL12

EAN 4031582318463

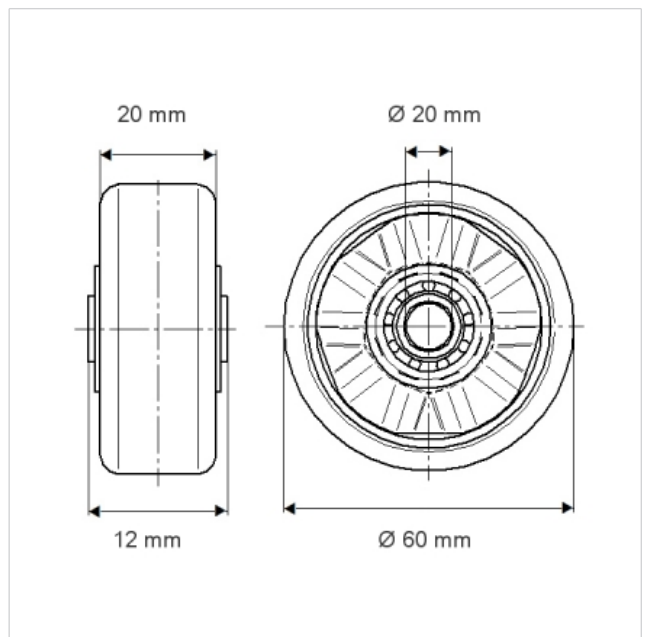
Wheel centre made of steel, Tread: Polyurethane, casted, precision ball bearing.

Load capacities on a smooth, even surface.

Technical Data	
Wheel diameter	60 mm
Width of Tread	20 mm
Axle Hole-Ø	20 mm
Hub length	12 mm
Temperature	- 20 / + 60 °C
Weight	0.14 kg
Load capacity	100 kg
Load capacity (static)	200 kg
Hardness of tread	A 92 Shore



Roll performance	+	+	+	+	+
Movement noise	+	+	+	+	+
Attrition	+	+	+	+	+
Corrosion resistance	+	+	+	+	+





**ETP060x20-Ø20 HL12**

EAN 4031582318463

