

Product Information



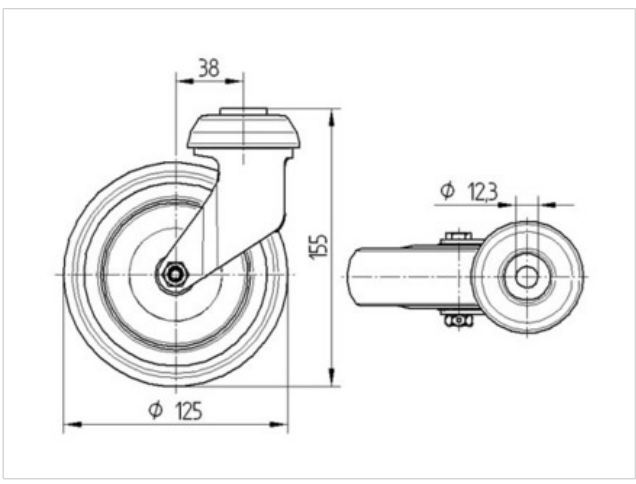
2370PJP125P30-13

EAN 4031582300369

Swivel castor, housing made of pressed steel, bright zinc plated, blue passivated, double ball bearing swivel head, wheel axle with nut. Wheel centre made of Polypropylene, Tread: TENTEprene (thermoplastic rubber), grey non-marking, precision ball bearing, with threadguards, bolt hole

| Technical Data | |
|------------------------|----------------|
| Wheel diameter | 125 mm |
| Width of Tread | 32 mm |
| Centre hole | 13 mm |
| Offset | 38 mm |
| Swivel Interference | 201 mm |
| Overall height | 155 mm |
| Temperature | - 20 / + 60 °C |
| Standard | EN 12530 |
| Weight | 0.672 kg |
| Load capacity | 100 kg |
| Load capacity (static) | 200 kg |
| Swivel Radius | 100.5 mm |
| Hardness of tread | A 87 Shore |

| | | | | | |
|----------------------|---|---|---|---|---|
| Roll performance | + | + | + | + | + |
| Movement noise | + | + | + | + | + |
| Attrition | + | + | + | + | + |
| Corrosion resistance | + | + | + | + | + |



Product Information



2370PJP125P30-13

EAN 4031582300369

