

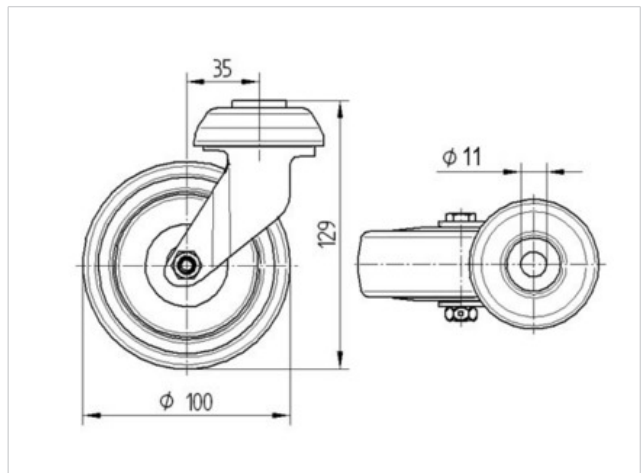
2370PJP100P30-11

EAN 4031582300352

Swivel castor, housing made of pressed steel, bright zinc plated, blue passivated, double ball bearing swivel head, wheel axle with nut. Wheel centre made of Polypropylene, Tread: TENTEprene (thermoplastic rubber), grey non-marking, precision ball bearing, with threadguards, bolt hole

Technical Data	
Wheel diameter	100 mm
Width of Tread	32 mm
Centre hole	11 mm
Offset	35 mm
Swivel Interference	170 mm
Overall height	129 mm
Temperature	- 20 / + 60 °C
Standard	EN 12530
Weight	0.54 kg
Load capacity	100 kg
Load capacity (static)	200 kg
Swivel Radius	85 mm
Hardness of tread	A 87 Shore

Roll performance	+	+	+	+	+
Movement noise	+	+	+	+	+
Attrition	+	+	+	+	+
Corrosion resistance	+	+	+	+	+



Product Information



2370PJP100P30-11

EAN 4031582300352

