

Product Information



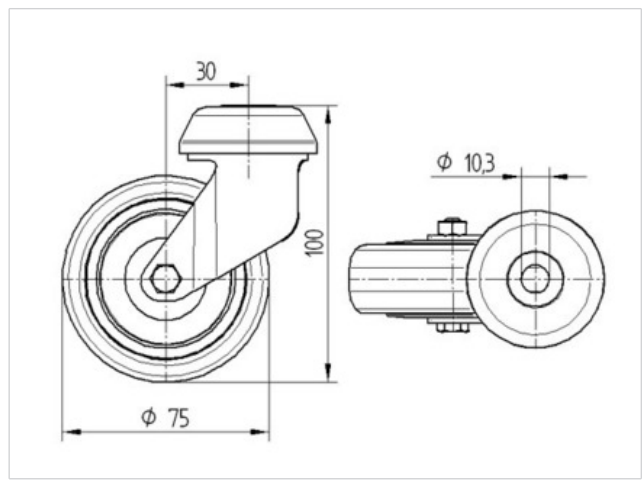
2370PJP075P30

EAN 4031582300345

Swivel castor, housing made of pressed steel, bright zinc plated, blue passivated, double ball bearing swivel head, wheel axle with nut. Wheel centre made of Polypropylene, Tread: TENTEprene (thermoplastic rubber), grey non-marking, precision ball bearing, with threadguards, bolt hole

Technical Data	
Wheel diameter	75 mm
Width of Tread	25 mm
Centre hole	10 mm
Offset	30 mm
Swivel Interference	135 mm
Overall height	100 mm
Temperature	- 20 / + 60 °C
Standard	EN 12530
Weight	0.304 kg
Load capacity	75 kg
Load capacity (static)	150 kg
Swivel Radius	67.5 mm
Hardness of tread	A 87 Shore

Roll performance	+	+	+	+	+
Movement noise	+	+	+	+	+
Attrition	+	+	+	+	+
Corrosion resistance	+	+	+	+	+



Product Information



2370PJP075P30

EAN 4031582300345

