

Product Information



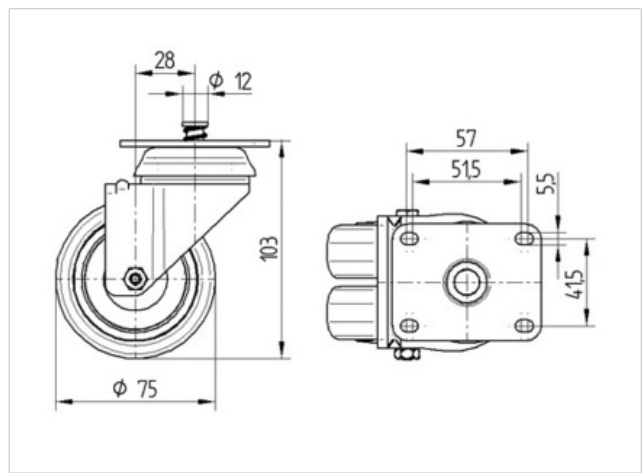
2976UAE075P54

EAN 4031582302882

Swivel castor with central lock, housing made of pressed steel, bright zinc plated, blue passivated, double ball bearing swivel head, wheel axle with nut. Wheel centre made of Polyamide, Tread: Polyurethane, with threadguards, cone ball bearing, plate fitting



Technical Data	
Wheel diameter	75 mm
Width of Tread	25 mm
Size of Plate	70 x 55 mm
Plate hole centres	57/51 x 41 mm
Plate hole	5,5 mm
Offset	28 mm
Swivel Interference	131 mm
Overall height	103 mm
Temperature	- 20 / + 60 °C
Standard	EN 12530
Weight	0.664 kg
Load capacity	100 kg
Load capacity (static)	200 kg
Swivel Radius	65.5 mm
Hardness of tread	D 40 Shore



Roll performance	+	+	+	+	+
Movement noise	+	+	+	+	+
Attrition	+	+	+	+	+
Corrosion resistance	+	+	+	+	+

Product Information



2976UAE075P54

EAN 4031582302882

