

## 3478UFR100P62 blue

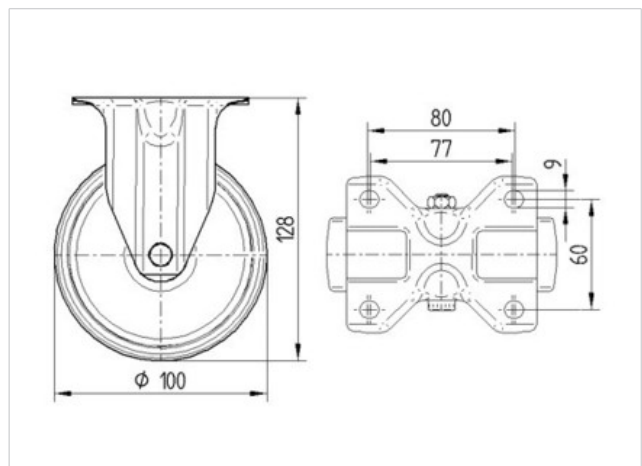
EAN 4031582306958

Fixed castor, Fork made of pressed steel, bright zinc plated, blue passivated, wheel axle with nut, Wheel centre made of Polyamide, Tread: elastic-tyre, non-marking, roller bearing, plate fitting

### Technical Data

Wheel diameter	100 mm
Width of Tread	34 mm
Size of Plate	103 x 85 mm
Plate hole centres	80/77 x 60 mm
Plate hole	9 mm
Overall height	128 mm
Temperature	- 20 / + 80 °C
Standard	EN 12532
Weight	0.572 kg
Load capacity	160 kg
Load capacity (static)	320 kg
Hardness of tread	A 64 Shore

Roll performance	+	+	+	+	+
Movement noise	+	+	+	+	+
Attrition	+	+	+	+	+
Corrosion resistance	+	+	+	+	+





**3478UFR100P62 blue**

EAN 4031582306958

