

Product Information



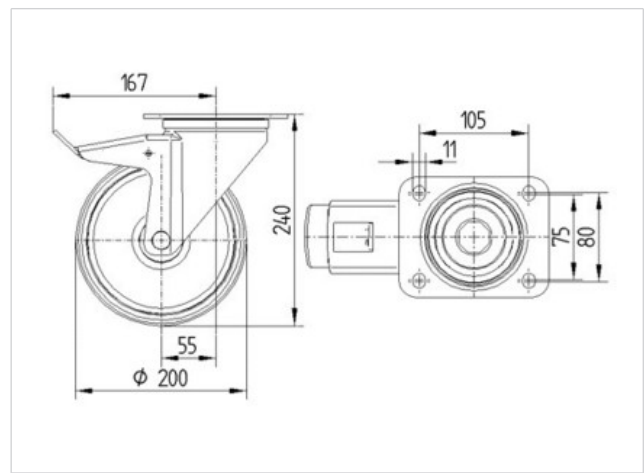
3477UFR200P63

EAN 4031582305975

Swivel castor with total lock, tail end of castor, housing made of pressed steel, bright zinc plated, blue passivated, double ball bearing swivel head, wheel axle with nut, dustguard. Wheel centre made of Polyamide, Tread: elastic-tyre, non-marking, roller bearing, plate fitting



Technical Data	
Wheel diameter	200 mm
Width of Tread	46 mm
Size of Plate	137 x 105 mm
Plate hole centres	105 x 80/75 mm
Plate hole	11 mm
Offset	55 mm
Swivel Interference	334 mm
Overall height	240 mm
Temperature	- 20 / + 80 °C
Standard	EN 12532
Weight	2.991 kg
Load capacity	400 kg
Load capacity (static)	800 kg
Swivel Radius	167 mm
Hardness of tread	A 64 Shore



Roll performance	+	+	+	+	+
Movement noise	+	+	+	+	+
Attrition	+	+	+	+	+
Corrosion resistance	+	+	+	+	+



3477UFR200P63

EAN 4031582305975

