

Product Information



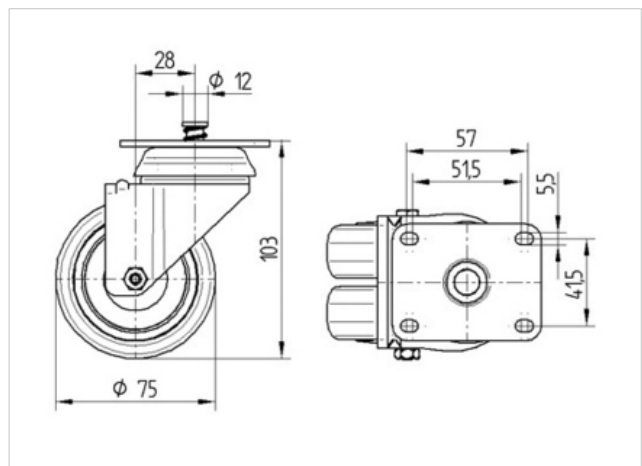
6976PJH075P54

EAN 4031582311280

Swivel castor with central lock, housing made of Aluminium, double ball bearing swivel head, upper ball race: balls made of stainless steel, lower ball race: balls of POM, wheel axle with nut. Wheel centre made of Polypropylene, Tread: TENTEprene (thermoplastic rubber), grey non-marking, with threadguards, plain bearing, plate fitting



Technical Data	
Wheel diameter	75 mm
Width of Tread	25 mm
Size of Plate	70 x 55 mm
Plate hole centres	57/51 x 41 mm
Plate hole	5,5 mm
Offset	28 mm
Swivel Interference	131 mm
Overall height	102 mm
Temperature	- 20 / + 60 °C
Standard	EN 12530
Weight	0.359 kg
Load capacity	100 kg
Load capacity (static)	200 kg
Swivel Radius	65.5 mm
Hardness of tread	A 87 Shore



Roll performance	+	+	+	+	+
Movement noise	+	+	+	+	+
Attrition	+	+	+	+	+
Corrosion resistance	+	+	+	+	+

6976PJH075P54

EAN 4031582311280

