

ETP085x75-Ø20 HL75

EAN 4031582318777

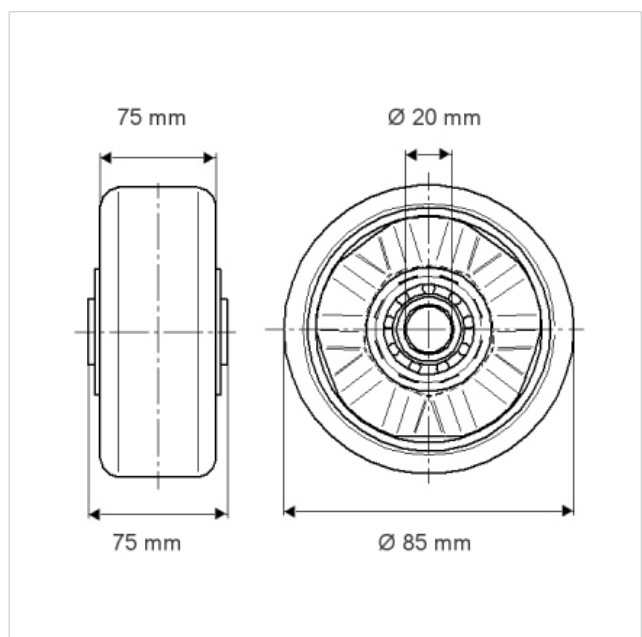
Wheel centre made of steel, Tread: Polyurethane, casted, precision ball bearing.

Load capacities on a smooth, even surface.

| Technical Data | |
|------------------------|----------------|
| Wheel diameter | 85 mm |
| Width of Tread | 75 mm |
| Axle Hole-Ø | 20 mm |
| Hub length | 75 mm |
| Temperature | - 20 / + 60 °C |
| Weight | 1.251 kg |
| Load capacity | 700 kg |
| Load capacity (static) | 1400 kg |
| Hardness of tread | A 92 Shore |
| Bearing type | 6204 No. |



| | | | | | |
|----------------------|---|---|---|---|---|
| Roll performance | + | + | + | + | + |
| Movement noise | + | + | + | + | + |
| Attrition | + | + | + | + | + |
| Corrosion resistance | + | + | + | + | + |



Product Information



ETP085x75-Ø20 HL75

EAN 4031582318777

