

# Product Information



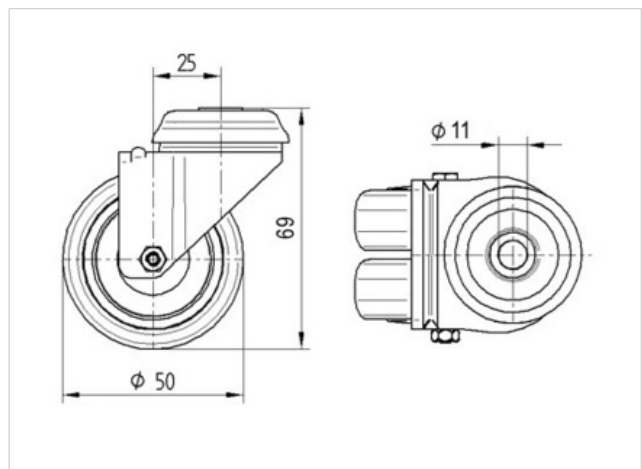
## 2970PJO050P30

EAN 4031582302684

Swivel castor, housing made of pressed steel, bright zinc plated, blue passivated, double ball bearing swivel head, wheel axle with nut. Wheel centre made of Polypropylene, Tread: TENTEprene (thermoplastic rubber), grey non-marking, plain bearing, bolt hole

Technical Data	
Wheel diameter	50 mm
Width of Tread	19 mm
Centre hole	11 mm
Offset	25 mm
Swivel Interference	100 mm
Overall height	69 mm
Temperature	- 20 / + 60 °C
Standard	EN 12530
Weight	0.19 kg
Load capacity	70 kg
Load capacity (static)	140 kg
Swivel Radius	50 mm
Hardness of tread	A 87 Shore

Roll performance	+	+	+	+	+
Movement noise	+	+	+	+	+
Attrition	+	+	+	+	+
Corrosion resistance	+	+	+	+	+



# Product Information



**2970PJO050P30**

EAN 4031582302684

