

# Product Information



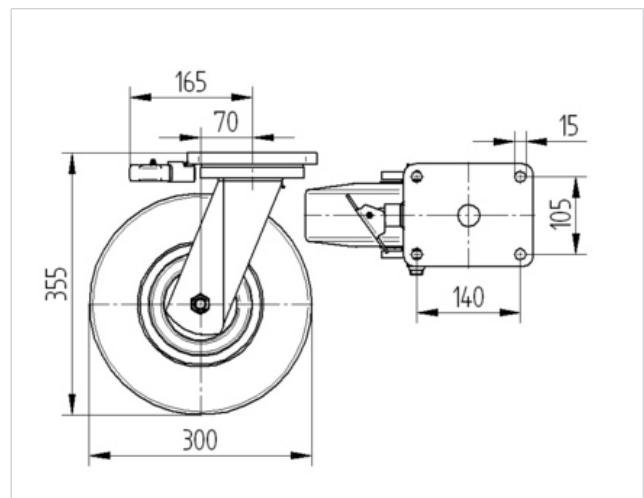
## 9681FVP300P64

EAN 4031582315516

Swivel castor with directional lock, housing and plate steel-welded, bright zinc plated, blue passivated, sealed single swivel double ball bearing, threaded king pin and locking nut secured, grease nipple, wheel axle with nut. Wheel centre made of cast iron, Tread: solid rubber, black, precision ball bearing, plate fitting



Technical Data	
Wheel diameter	300 mm
Width of Tread	85 mm
Size of Plate	175 x 140 mm
Plate hole centres	140 x 105 mm
Plate hole	15 mm
Offset	70 mm
Swivel Interference	262 mm
Overall height	355 mm
Temperature	- 20 / + 85 °C
Standard	EN 12533
Weight	23.027 kg
Load capacity	800 kg
Load capacity (static)	1600 kg
Hardness of tread	A 70 Shore



Roll performance	+	+	+	+	+
Movement noise	+	+	+	+	+
Attrition	+	+	+	+	+
Corrosion resistance	+	+	+	+	+



## 9681FVP300P64

EAN 4031582315516

