

Product Information



SVP645x500-Ø80

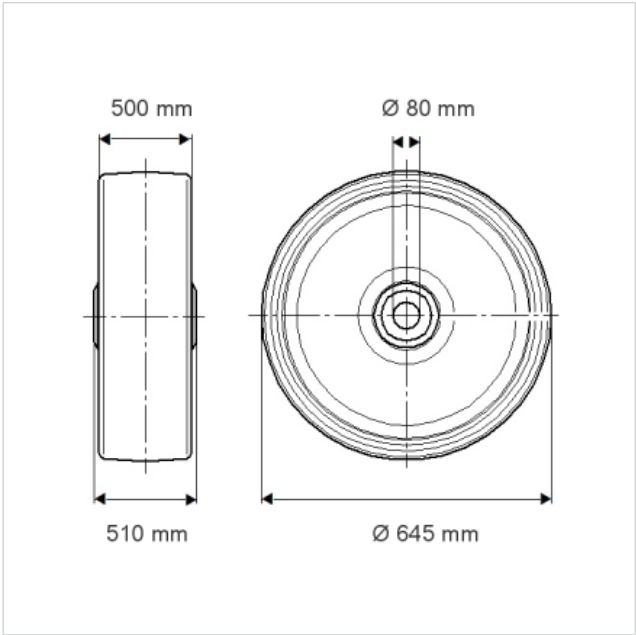
EAN 4031582322477

Wheel centre made of pressed steel, lacquered, heavy duty, Tread: solid rubber, black, precision ball bearing

Technical Data	
Wheel diameter	645 mm
Width of Tread	500 mm
Axle Hole-Ø	80 mm
Hub length	510 mm
Temperature	- 20 / + 85 °C
Standard	EN 12533
Weight	183.669 kg
Load capacity	7830 kg
Load capacity (static)	15660 kg
Hardness of tread	A 70 Shore



Roll performance	+	+	+	+	+
Movement noise	+	+	+	+	+
Attrition	+	+	+	+	+
Corrosion resistance	+	+	+	+	+



Product Information



SVP645x500-Ø80

EAN 4031582322477

