

Product Information



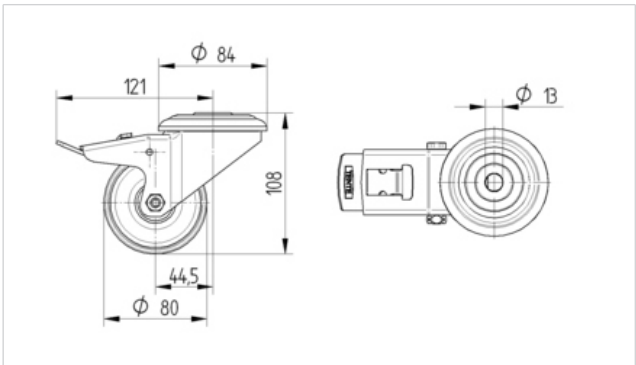
3477UVH080P30

EAN 4031582306200

Swivel castor with total lock, tail end of castor, housing made of pressed steel, bright zinc plated, blue passivated, double ball bearing swivel head, wheel axle with nut. Wheel centre made of Polyamide, Tread: solid rubber, black, plain bearing, with threadguards,, bolt hole

Technical Data	
Wheel diameter	80 mm
Width of Tread	35 mm
Centre hole	13 mm
Offset	44.5 mm
Swivel Interference	242 mm
Overall height	108 mm
Temperature	- 20 / + 60 °C
Standard	EN 12532
Weight	0.968 kg
Load capacity	100 kg
Load capacity (static)	200 kg
Swivel Radius	121 mm
Hardness of tread	A 95 Shore

Roll performance	+	+	+	+	+
Movement noise	+	+	+	+	+
Attrition	+	+	+	+	+
Corrosion resistance	+	+	+	+	+



Product Information



3477UVH080P30

EAN 4031582306200

