

# Product Information



## 3470UVH080P30

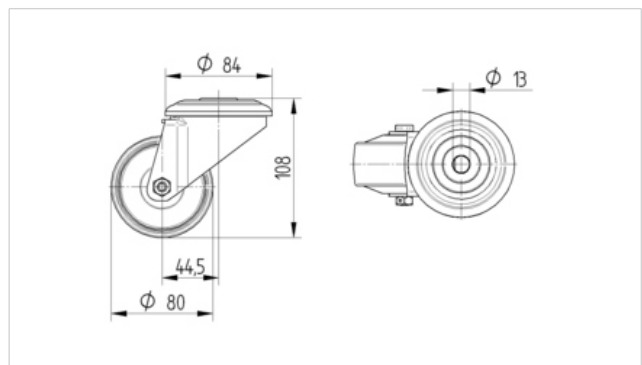
EAN 4031582304718

Swivel castor, housing made of pressed steel, bright zinc plated, blue passivated, double ball bearing swivel head, wheel axle with nut. Wheel centre made of Polyamide, Tread: solid rubber, black, plain bearing, with threadguards,, bolt hole

### Technical Data

Wheel diameter	80 mm
Width of Tread	35 mm
Centre hole	13 mm
Offset	44.5 mm
Swivel Interference	169 mm
Overall height	108 mm
Temperature	- 20 / + 60 °C
Standard	EN 12532
Weight	0.805 kg
Load capacity	100 kg
Load capacity (static)	200 kg
Swivel Radius	84.5 mm
Hardness of tread	A 95 Shore

Roll performance	+	+	+	+	+
Movement noise	+	+	+	+	+
Attrition	+	+	+	+	+
Corrosion resistance	+	+	+	+	+



# Product Information



## 3470UVH080P30

EAN 4031582304718

