

Product Information



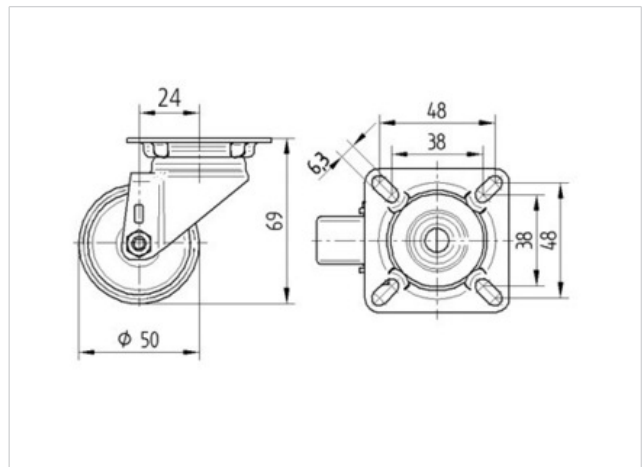
2470PJI050P40

EAN 4031582010053

Swivel castor, housing made of pressed steel, bright zinc plated, blue passivated, double ball bearing swivel head, axle riveted. Wheel centre made of Polypropylene, Tread: TENTEprene (thermoplastic rubber), grey non-marking, plain bearing, plate fitting



Technical Data	
Wheel diameter	50 mm
Width of Tread	19 mm
Size of Plate	60 x 60 mm
Plate hole centres	48/38 x 48/38 mm
Plate hole	6,3 mm
Offset	24 mm
Swivel Interference	98 mm
Overall height	69 mm
Temperature	- 20 / + 60 °C
Standard	EN 12530
Weight	0.174 kg
Load capacity	50 kg
Load capacity (static)	100 kg
Swivel Radius	49 mm
Hardness of tread	A 87 Shore



Roll performance	+	+	+	+	+
Movement noise	+	+	+	+	+
Attrition	+	+	+	+	+
Corrosion resistance	+	+	+	+	+

Product Information



2470PJI050P40

EAN 4031582010053

