

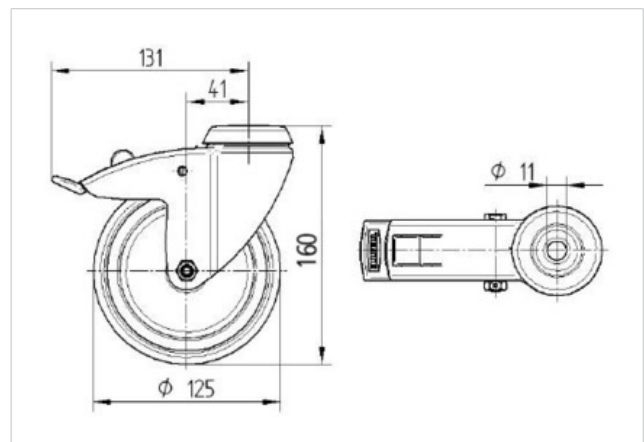
## 2477PJP125P30-11

EAN 4031582050462

Swivel castor with total lock, tail end of castor, housing made of pressed steel, bright zinc plated, blue passivated, double ball bearing swivel head, wheel axle with nut. Wheel centre made of Polypropylene, Tread: TENTEprene (thermoplastic rubber), grey non-marking, precision ball bearing, with threadguards, bolt hole  
 Castors can be mounted with standard screws; various length screws can be used.



Technical Data	
Wheel diameter	125 mm
Width of Tread	32 mm
Centre hole	11 mm
Offset	41 mm
Swivel Interference	262 mm
Overall height	160 mm
Temperature	- 20 / + 60 °C
Standard	EN 12530
Weight	0.874 kg
Load capacity	100 kg
Load capacity (static)	200 kg
Swivel Radius	131 mm
Hardness of tread	A 87 Shore



Roll performance	+	+	+	+	+
Movement noise	+	+	+	+	+
Attrition	+	+	+	+	+
Corrosion resistance	+	+	+	+	+

# Product Information



**2477PJP125P30-11**

EAN 4031582050462

