

# Product Information

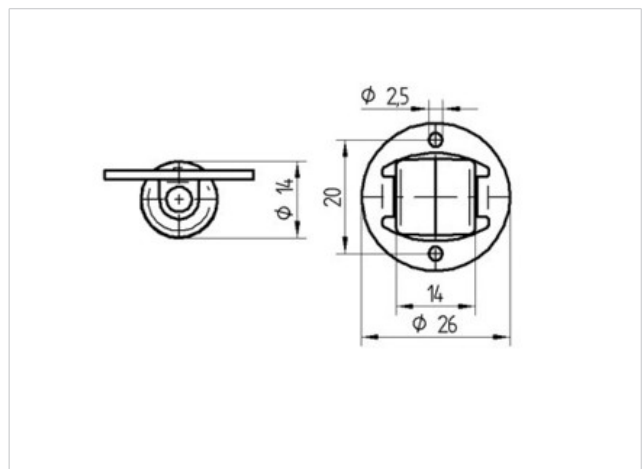


## 1298UOI014P80

EAN 4031582300024

Fixed castor, Fork made of pressed steel, bright zinc plated, blue passivated, axle riveted, Wheel centre made of Polyamide, plain bearing, Plate, round

Technical Data	
Wheel diameter	14 mm
Width of Tread	14 mm
Size of Plate	26 mm
Plate hole centres	20 mm
Plate hole	2.5 mm
Overall height	13.5 mm
Temperature	- 20 / + 60 °C
Standard	EN 12528
Weight	0.008 kg
Load capacity	15 kg
Load capacity (static)	30 kg
Hardness of tread	D 65 Shore



Roll performance	+	+	+	+	+
Movement noise	+	+	+	+	+
Attrition	+	+	+	+	+
Corrosion resistance	+	+	+	+	+